

Fast Cure Adhesive-Style Connectors

APPLICATION

Leviton's new line of adhesive-style connectors are designed for quick and easy termination. The Fast Cure Connectors are available in singlemode and multimode versions; the connectors come in a variety of configurations, including ST®, SC, FC, and LC. The Fast Cure line is designed for LAN, WAN, Cable TV Distribution Networks, Point to Point Systems, or anywhere adhesive-style connectors are specified.

STANDARDS COMPLIANCE

Compliant with TIA/EIA-604 and 568-B standards.

DESIGN CONSIDERATIONS

- MOS and QuickPort® frame and workstation products.
- Compatible with Leviton's adapters.
- Singlemode and multimode versions.
- Precision pre-radiused zirconia ferrules.
- High cable retention crimp for jacketed fiber.
- Supports 900µm and 3.0mm cable.
- Recommended for indoor and outdoor use.

WARRANTY INFORMATION

For a copy of Leviton product warranties, log on to www.levitonvoicedata.com/warranty.

See ELECTRONIC FILES for CAD files (.DXF, .DWG, MS-DOS.EPS) on disk



For ELECTRONIC Typical Specs see (.TXT) file on disk.

TYPICAL SPECIFICATION

The fiber optic connectors shall be adhesive-style and compliant with TIA/EIA-604 and 568-B standards. They come in singlemode and multimode versions for ST, SC, FC and LC polishing styles. The connector ferrules shall be precision, pre-radiused zirconia and support 900µm and 3.0mm cable.

Fast Cure Adhesive-Style Connectors

Fast Cure Adhesive Style Connectors

Connector Style	SC		LC		ST	
	ZIRCONIA FERRULE		ZIRCONIA FERRULE		ZIRCONIA FERRULE	
	MULTIMODE	SINGLEMODE	MULTIMODE	SINGLEMODE	MULTIMODE	SINGLEMODE
Insertion Loss	<2dB Typical	<0.15 dB Typical	<0.2 dB Typical	<0.15 dB Typical	<4dB Typical	<2dB Typical
Back Reflection	-25 db Typical	-35 dB PC Polish -45 dB Super PC -55 dB Ultra PC	-25 db Typical	-35 dB PC Polish -45 dB Super PC -55 dB Ultra PC	-25 dB Typical	-35 dB PC Polish -45 dB Super PC -55 dB Ultra PC
Connector Repeatability	<0.1 dB	<0.1 dB	<0.2 dB	<0.1 dB	0.1 dB Typical	<0.1 dB Typical
Operating Environment	-40° C to 85° C	-40° C to 85° C	-40° C to 85° C	-40° C to 85° C	-40° C to 85° C	-40° C to 85° C
Temperature Cycling (Loss Variation)	Insertion Loss <0.1 dB Return Loss <5 dB	Insertion Loss <0.1 dB Return Loss <5 dB	Insertion Loss <0.2 dB -----	Insertion Loss <0.2 dB -----	Insertion Loss <0.2 dB Return Loss <5 dB	Insertion Loss <0.2 dB Return Loss <5 dB
Vibration (Loss Variation)	Insertion Loss <0.1 dB Return Loss <5 dB	Insertion Loss <0.1 dB Return Loss <5 dB	Insertion Loss <0.2 dB -----	Insertion Loss <0.2 dB -----	Insertion Loss <0.2 dB Return Loss <5 dB	Insertion Loss <0.2 dB Return Loss <5 dB
Cable Retention	> 15 lb.	>15 lb.	>15 lb.	>15 lb.	>15 lb.	>15 lb.

For Technical Support Call 1-425-485-4288; in USA call 1-800-824-3005.
 Spec sheets and updates are also available at www.levitonvoicedata.com.



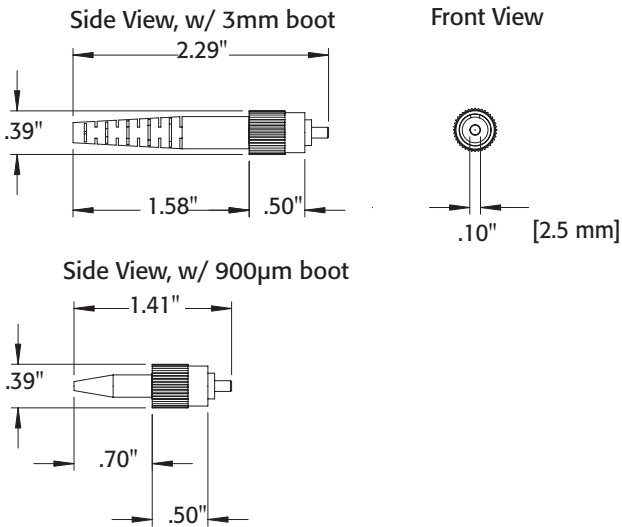
Fast Cure Adhesive-Style Connectors

Part Numbers
49990-xxx
49800-xxx
49886-xxx

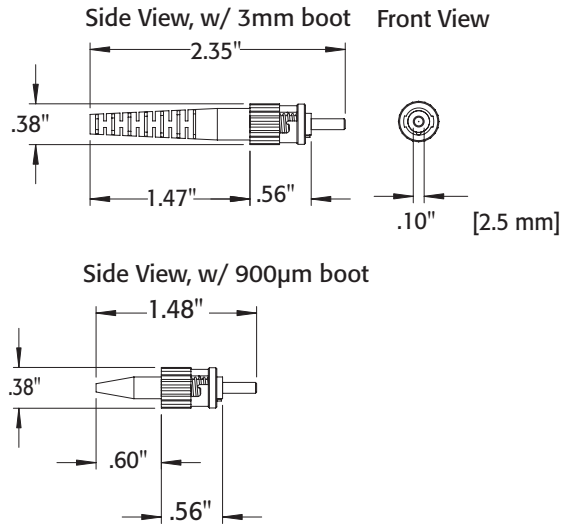
DIMENSIONAL LINE ART

See ELECTRONIC FILES for CAD images
 (.DXF, .DWG, MS-DOS.EPS)

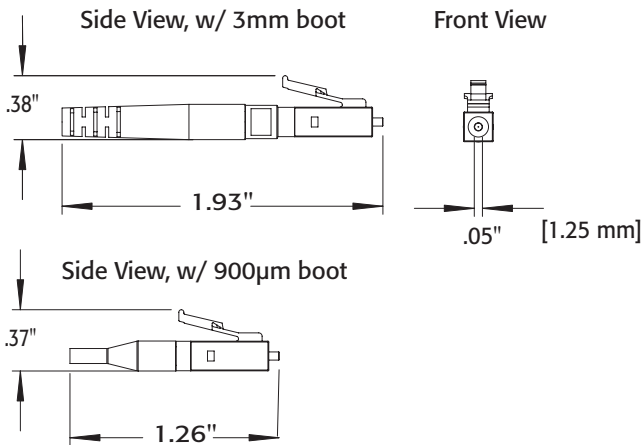
Fast Cure FC Connector



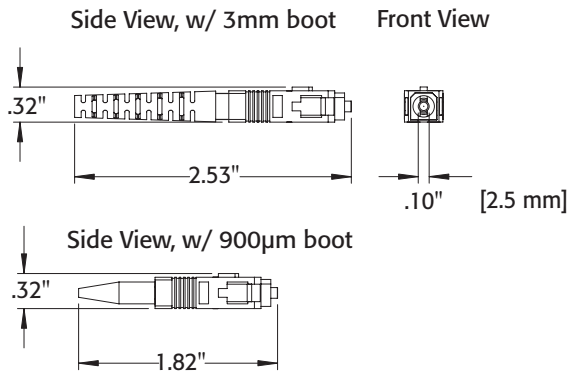
Fast Cure ST Connector



Fast Cure LC Connector



Fast Cure SC Connector



PART NUMBERS

Description	Part No.
ST Multimode Connector	49990-MST
ST Singlemode Connector	49990-SST
SC Multimode Connector	49990-MSC
SC Singlemode Connector	49990-SSC
LC Multimode Connector w/ 3mm boot	49990-ML2
LC Singlemode Connector w/ 3mm boot	49990-SL2
LC Multimode Connector w/ 900µm boot	49990-MDL
LC Singlemode Connector w/ 900µm boot	49990-SDL
FC Multimode Connector	49990-MFC
FC Singlemode Connector	49990-SFC

NOTE: Both singlemode and multimode connectors come with a 3 mm and 900µm boot.



For Technical Support Call 1-425-485-4288; in USA call 1-800-824-3005.
 Spec sheets and updates are also available at www.levitonvoicedata.com.

2222 - 222nd St. SE • Bothell, WA 98021 USA • Tel: 1-800-722-2082 / 1-425-485-4288 • Fax: 1-425-483-5270 • Int'l Fax: 1-425-485-9170 • GSA Schedule Available.

